

METTLER TOLEDO

SWB305 Weigh Module » Installation Guide

Before You Begin

1»

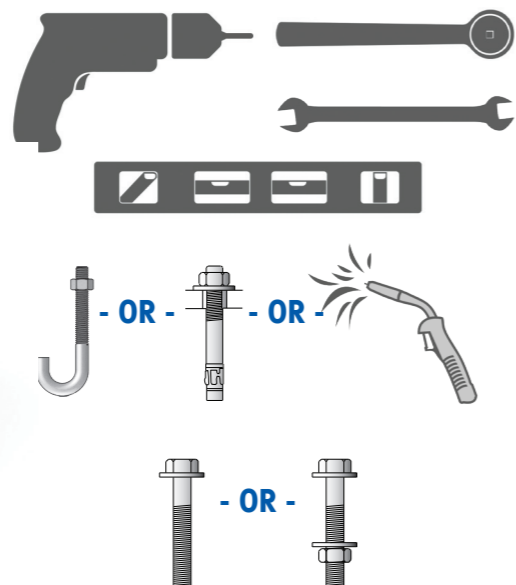


Never extend or cut the load cell's cable length. Always remove the load cell before welding.

1

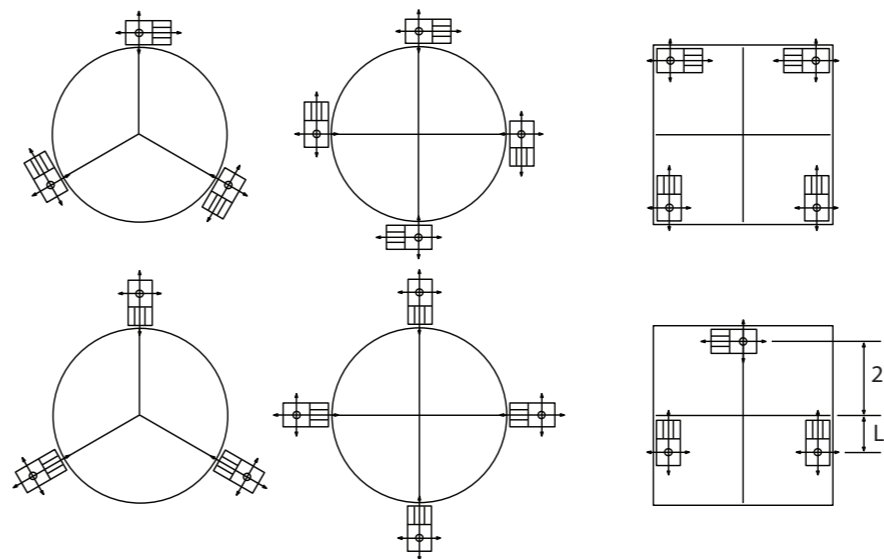


2 Tools You Need:



Plan Your Layout

2»



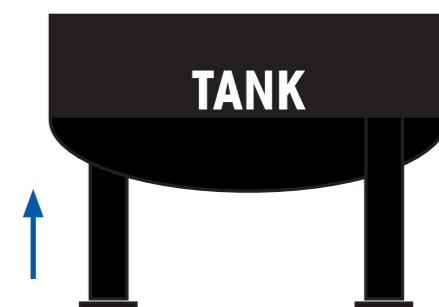
Position the Weigh Modules

3»



Block the tank when in raised position.

1 Lift tank



2 Position weigh modules under tank legs according to your layout

Make Sure Alignment Plates are Installed

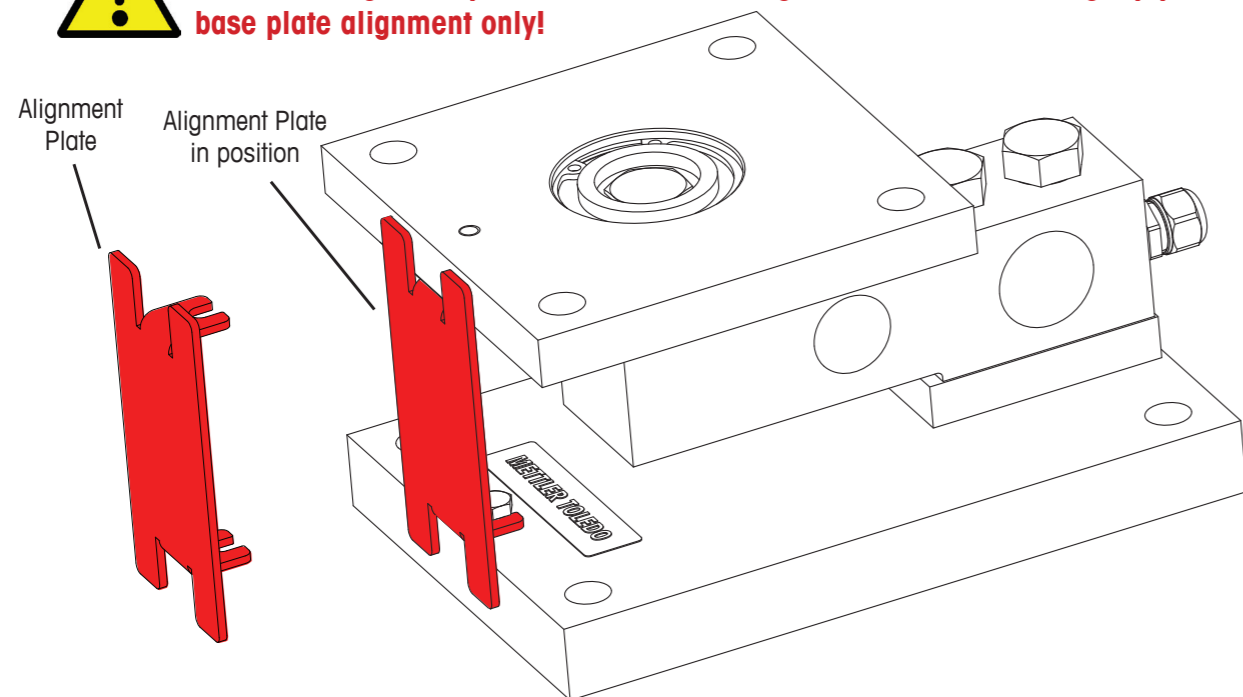
4»



During installation, each weigh module must be equipped with an alignment plate. Note: The alignment plate is not load-bearing, and is for maintaining top plate/base plate alignment only!

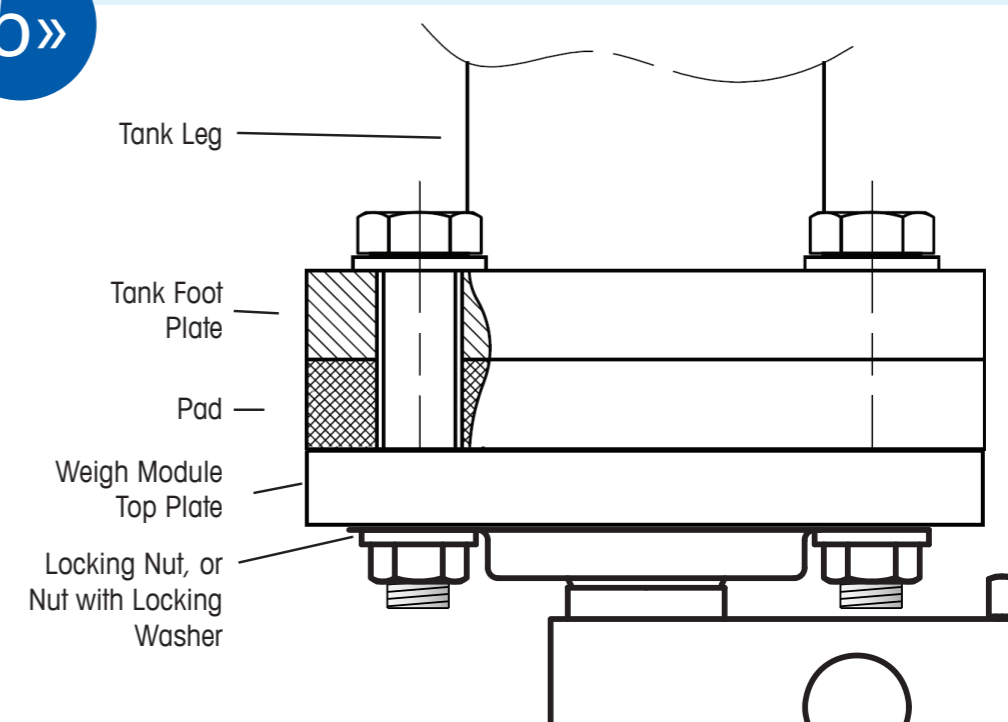
Alignment Plate

Alignment Plate in position



Mounting Optional Pads

5»



METTLER TOLEDO

SWB305 Weigh Module » Installation Guide

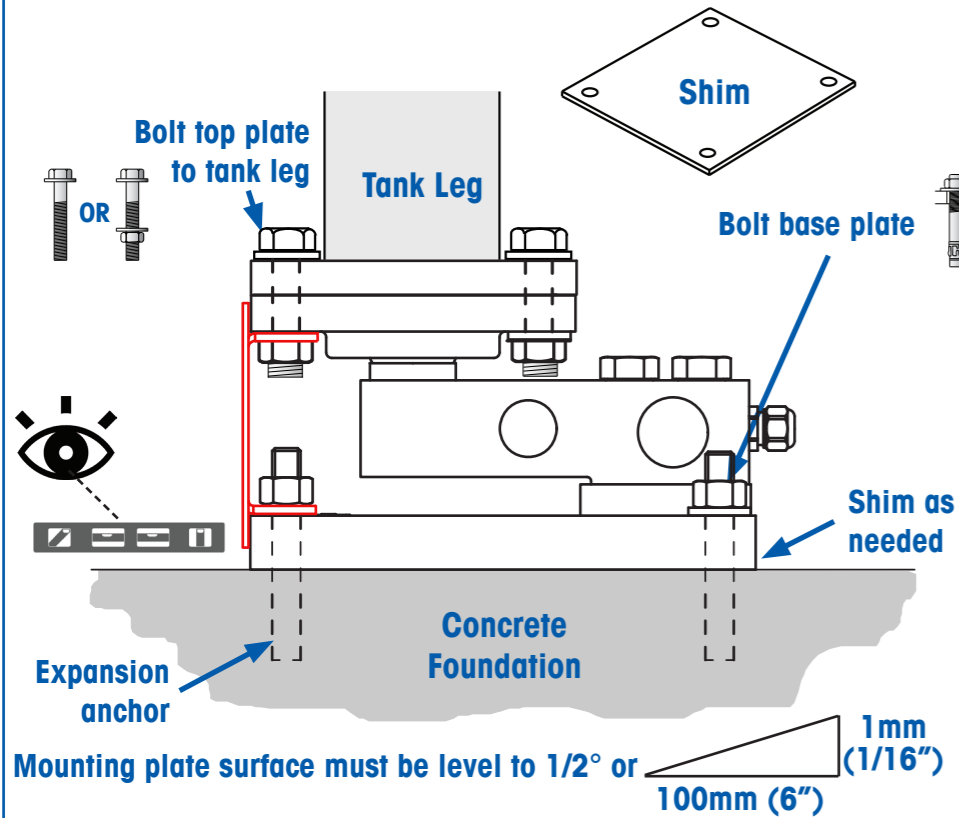
Options for Securing the Weigh Modules

6»

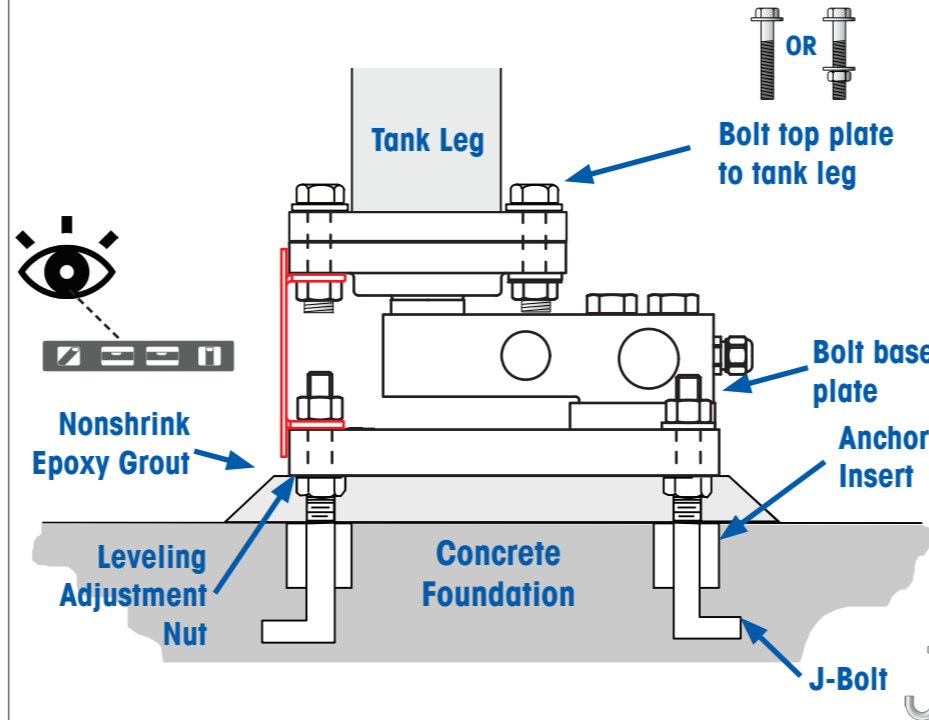
BOLT the weigh module:

- OR - LEVEL AND GROUT the weigh module:

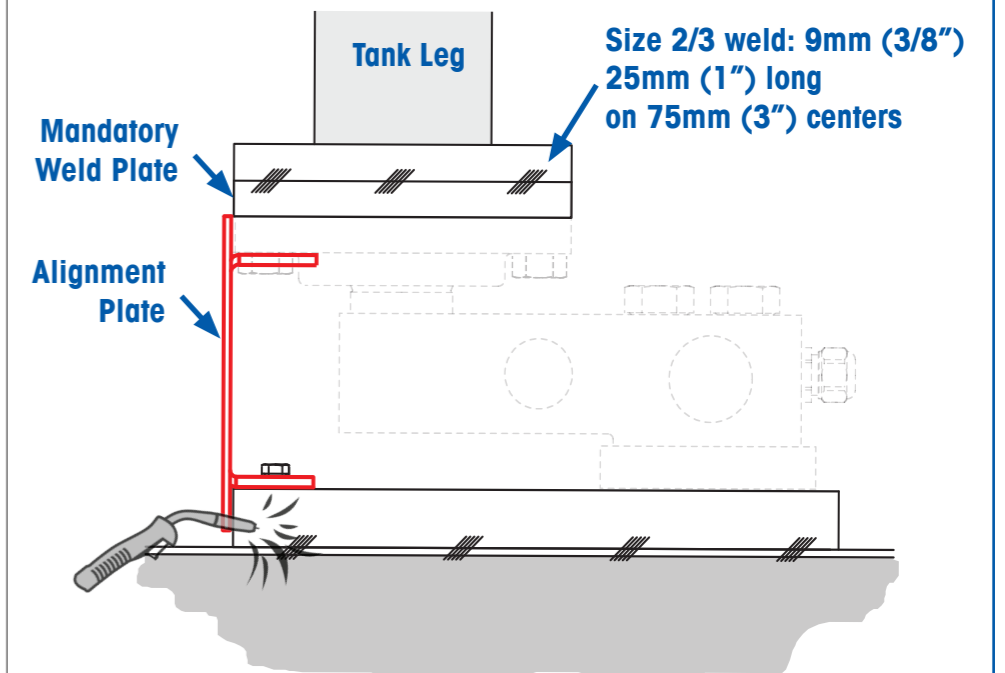
- OR - WELDED INSTALLATION (NOT PREFERRED) with Weld Plate:



All weigh modules must be in the same plane within 3mm (1/8").

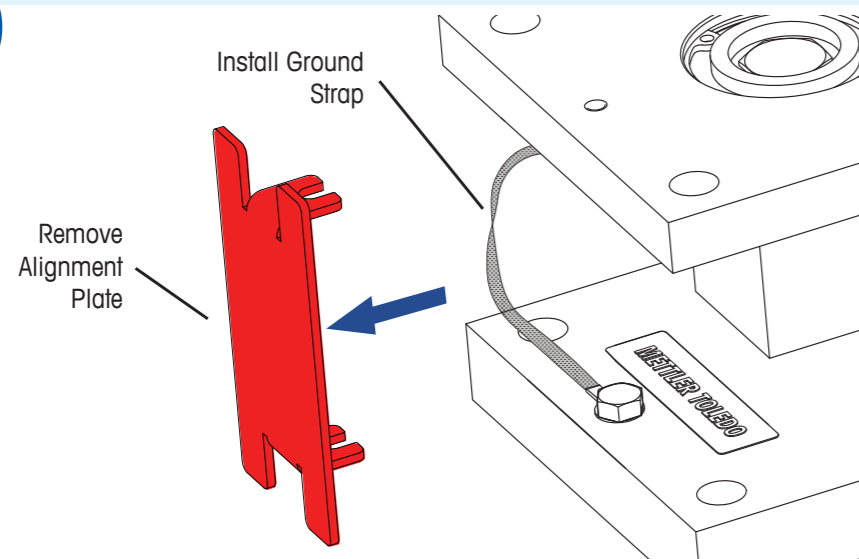


- Before welding, support the scale and remove load cell from weigh module.
 - The weld plate (sold separately) is required to allow access to the top plate assembly for service.
 - Ground wire of welder must be as close to the weld seam as possible to ensure proper grounding. Do not pass welding current through the load cell.
- Contact authorized METTLER TOLEDO technician for proper removal and re-installation of load cells.



Install Ground Strap and Remove Alignment Plate

7»



Installation Tips and Precautions:

- Never cut the load cell's cable or extend its length.
- Avoid moisture and dust.
- Ensure voltage stability – use a regulated power supply.
- Avoid overload and shock.
- Ensure good grounding.



Contact authorized METTLER TOLEDO service technician to activate the weigh modules for startup and calibration.

Contact Information:

► www.mt.com/contact

© 2018 Mettler-Toledo, LLC
11/2018 | 30459495A